

NORITSU Film Processor **QSF-T15LV**



Minimum volume: **6** rolls/day



QSF-T15LV

- Can process 110, 135, IX240 film.
- Suitable for low-volume labs. Good chemical condition can be maintained with minimal processing.
- Internal replenishment and waste solution tanks with warnings.
- Automatic water replenishment.
- Simplified loading. Loading box cover interlock.
- Ultra compact design.

Specification

Film Size.....	110,135, IX240
Film Types.....	Film that can be processed with C41 processing
Method.....	Short leader transport (single lane transport)
Processing Speed.....	Standard/SM : 345mm/min
Minimum Number of Rolls.....	6 rolls/day (135-24exp.) * Calculated according to our criteria.
Automatic Water Replenishment	Standard
Waste Solution Tanks.....	Built-in, contain high level sensors
Power Requirements.....	AC100~240V 12A (Single phase,100v)
Dimensions (mm).....	891.5 (L) x 380 (W) x 1,200 (H)
Footprint.....	0.33m ²
Weight (kg).....	Standard : 113 (Dry) + 34.1 (Solution) + 5.3 (Water) = 152.4kg SM : 124 (Dry) + 16.4 (Solution) + 5.3 (Water) = 145.7kg

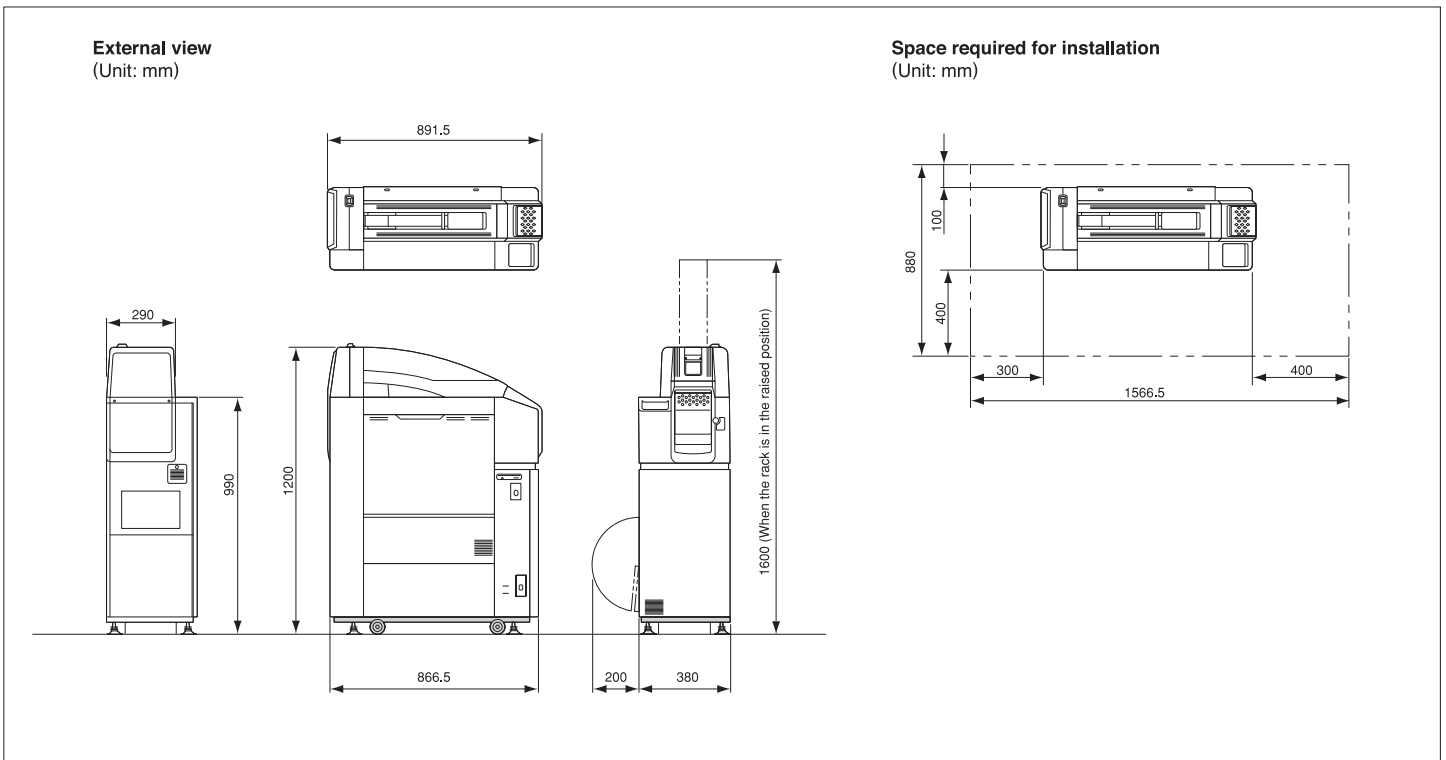
Processing Capacity

Film Size	Rolls per Hour
135 (24 exp)	14
IX240 (25 exp)	14
110 (24 exp)	18

Calculated according to our criteria. The actual capacity you achieve may be different.

It is possible to convert the QSF-T15 to a QSF-T15LV.
The modification kit used for conversion depends on the QSF-T15 model.

Modification kit for low-volume processing	Z811440-01
Modification kit for low-volume processing (SM)	Z811441-01
Modification kit for low-volume processing (F)	Z811348-01



NORITSU KOKI CO., LTD.

579-1 UMEHARA, WAKAYAMA-SHI, 640-8550, JAPAN
PHONE:(81)73-454-0345 FACSIMILE:(81)73-454-0301
<http://www.noritsu.co.jp>

NORITSU is a trademark of Noritsu Koki Co., Ltd.
All other product and company names herein may be trademarks of their respective owners.

The specifications, information, and appearance of the machine herein are subject to change without notice.



Our products have been manufactured under an ISO 9001-certified quality assurance system.

COUNTRY	OFFICE	PHONE NO.	COUNTRY	OFFICE	PHONE NO.
Australia	Noritsu Koki Australia Pty. Ltd.	(61) 2-9317-2141	Malaysia	Noritsu Koki Malaysia Sdn. Bhd.	(60) 3-78762733
Brazil	Noritsu Do Brasil Ltda.	(55) 92-3615-4300	Mexico	Noritsu Mexico S.A. De C.V.	(52) 55-2626-6710
Canada	Noritsu Canada Ltd.	(1) 905-567-8982	The Philippines	Noritsu Philippines, Inc.	(63) 2-812-8443
The Czech Rep.	Noritsu (CR) spol. sr. o.	(420) 241-040901	Poland	Noritsu (Poland) Sp. z.o.o.	(48) 22-863-2800
China	Noritsu (Shanghai) P. E. M. Co., Ltd.	(86) 21-5046-3997	South Korea	Noritsu Seoul Branch	(82) 2-569-2701
France	Noritsu France E. U. R. L.	(33) 1-57-02-12-90	Russia	Noritsu (R) Ltd.	(7) 495-933-6446
Greece	Noritsu Hellas Ltd.	(30) 210-6019506	Singapore	Noritsu Singapore Pte. Ltd.	(65) 6778-8333
Germany	Noritsu (Deutschland) GmbH	(49) 2154-9157-0	Taiwan	Noritsu Taiwan Co., Ltd.	(886) 2-2508-1908
Hong Kong	Noritsu (Far East) Ltd.	(852) 2873-4788	U. A. E.	Noritsu Near East Branch	(971) 4-8837556
India	Noritsu India Branch	(91) 11-41427245	U. K.	Noritsu (UK) Limited	(44) 1908-371100
Italy	Noritsu Italia S. r. l.	(39) 0321-445211	U. S. A.	Noritsu America Corporation	(1) 714-521-9040



Printed on recycled paper. 2008.08 TAC 03